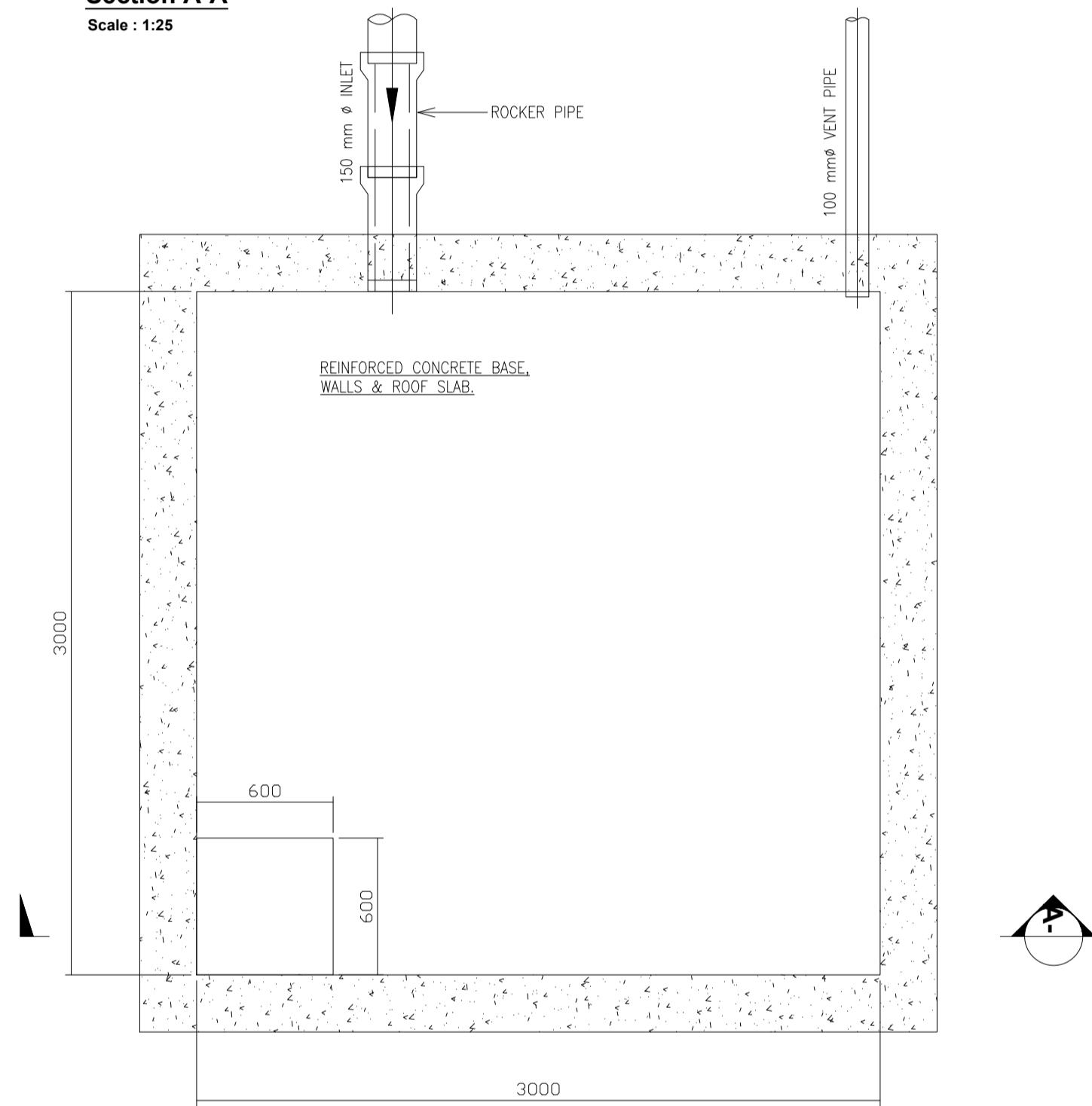
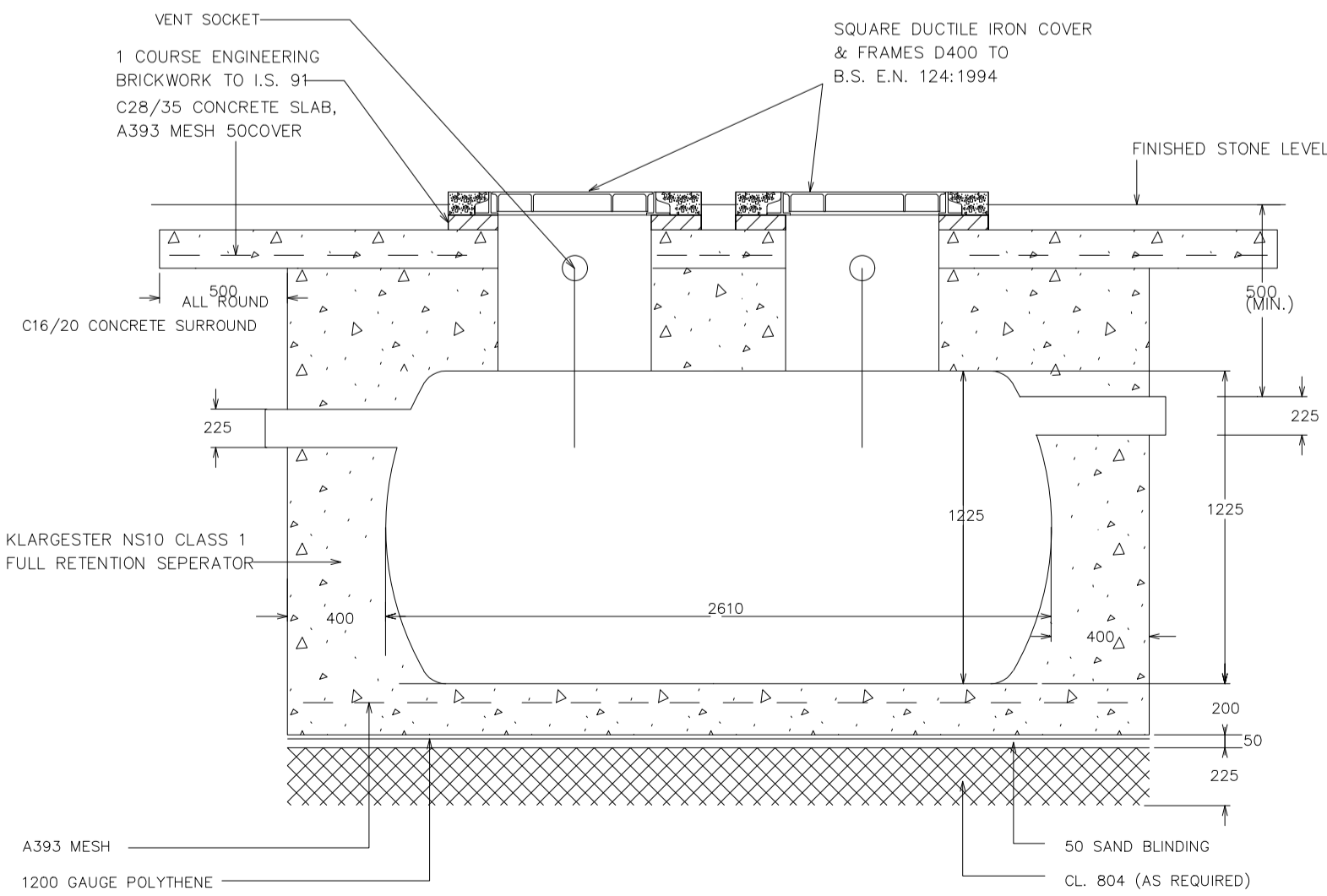


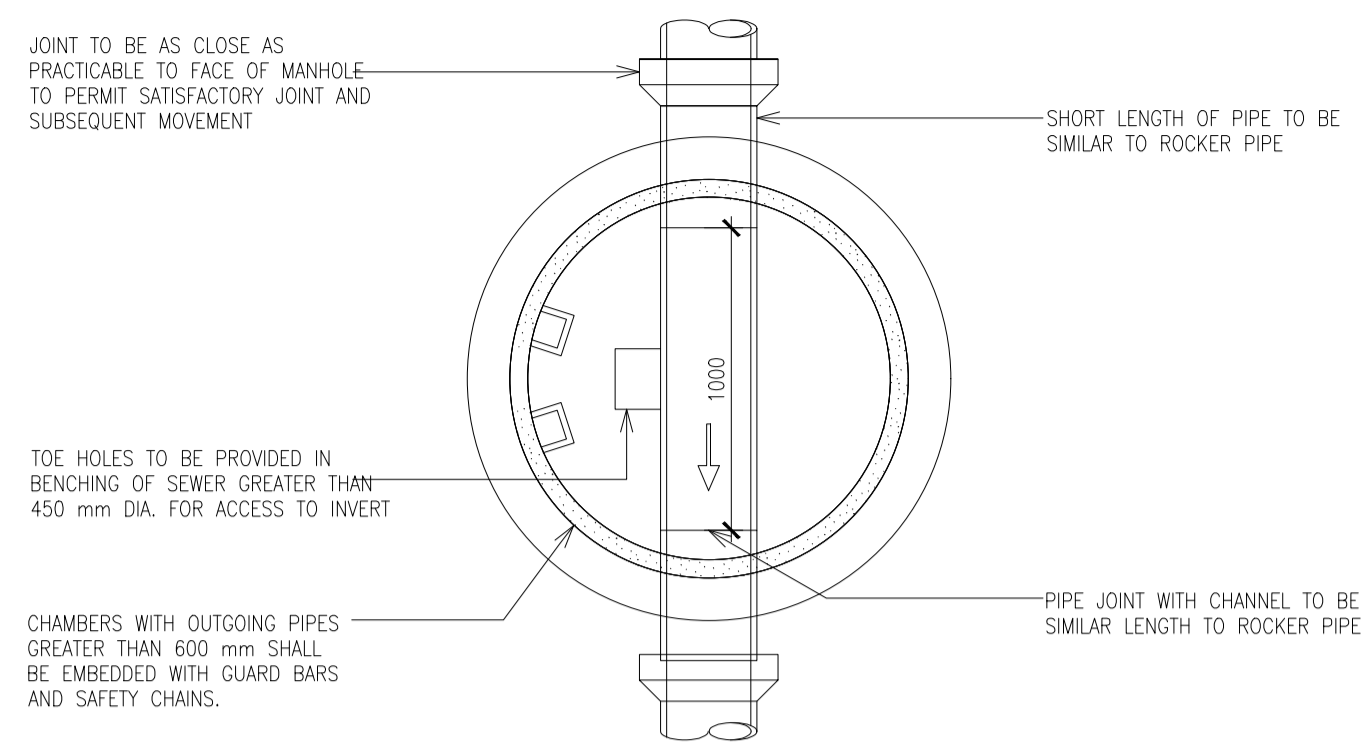
Section A-A
Scale : 1:25



Plan - Foul Water Holding Tank
Scale : 1:25

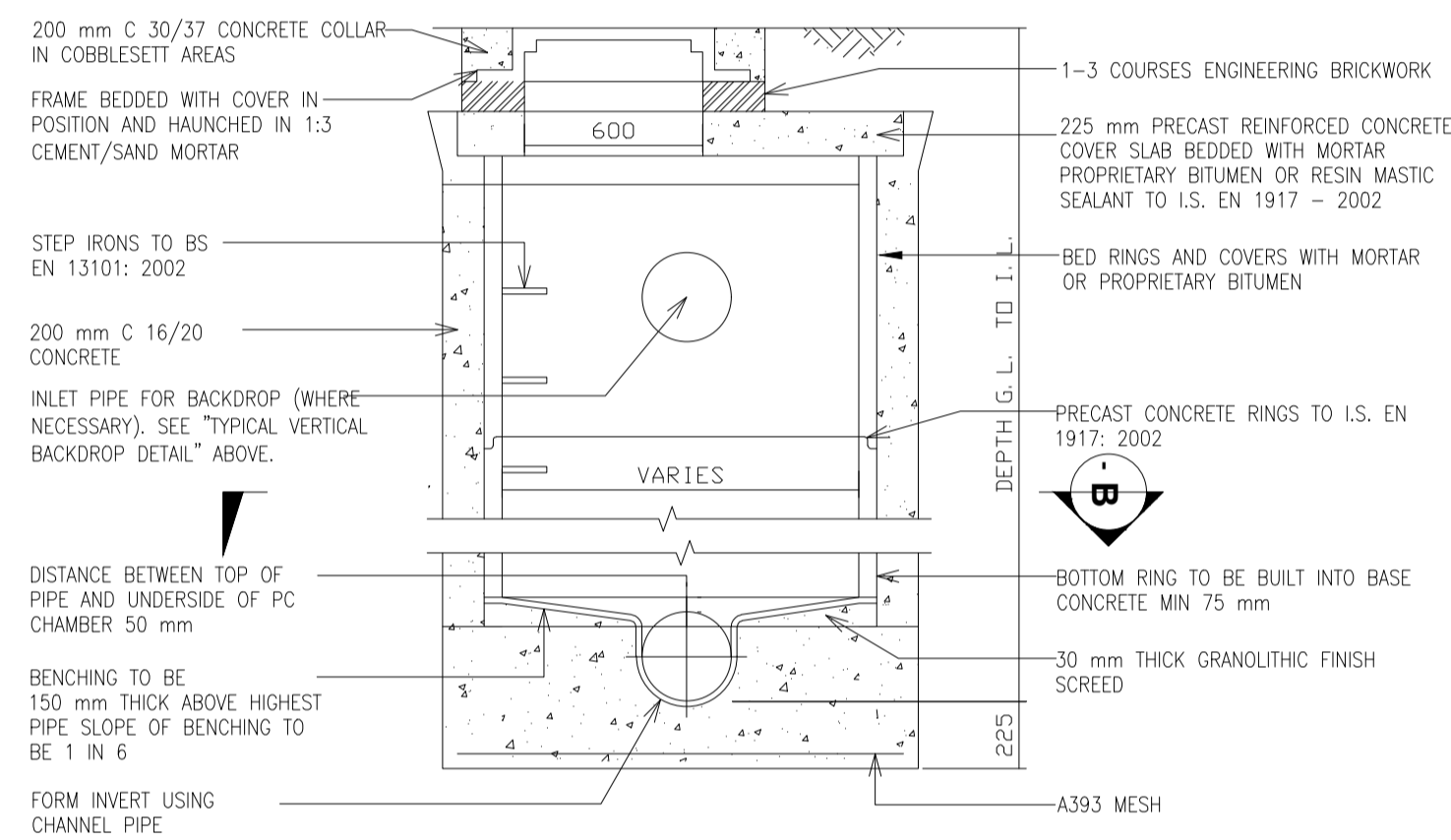


Section Through Class 1 Full Retention Separator
Scale : 1:25

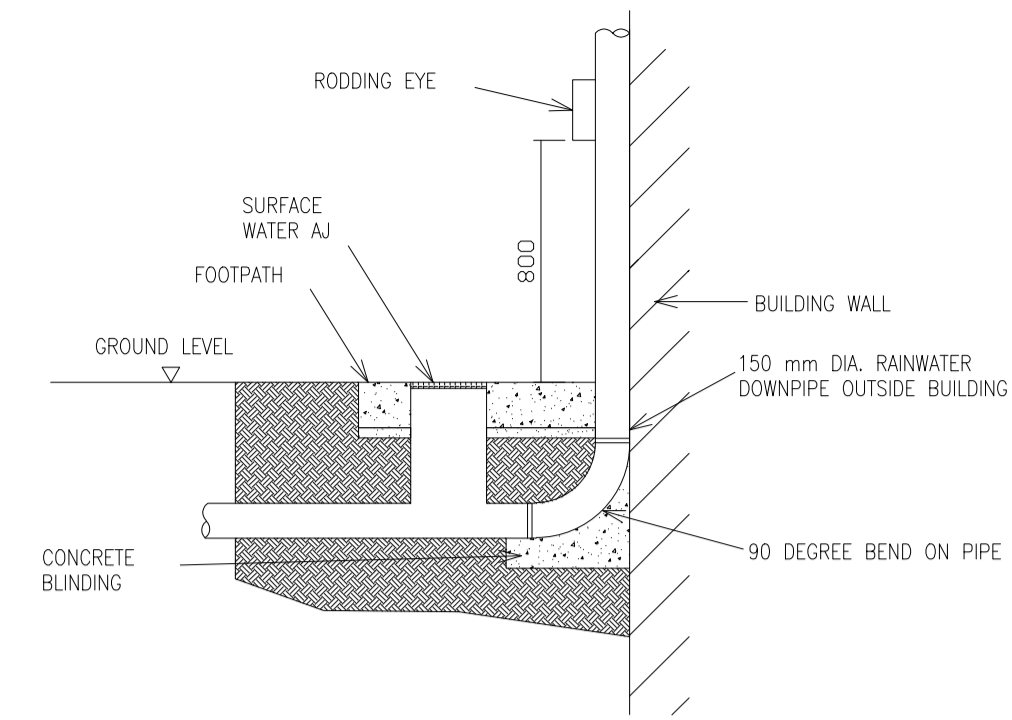


COVER AND FRAME TO BE:
A.) SQUARE DUCTILE IRON WITH 600 mm CLEAR OPES.
CLASS D400 TO I.S. EN 124:1994 BENEATH CARRIAGEWAYS,
DRIVEWAYS AND FOOTWAYS.

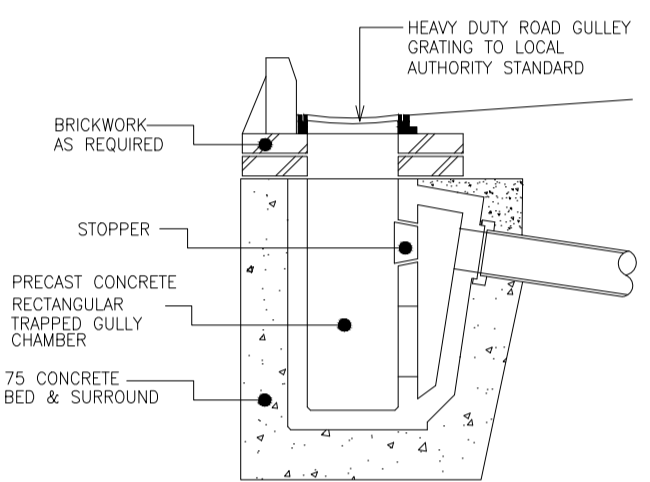
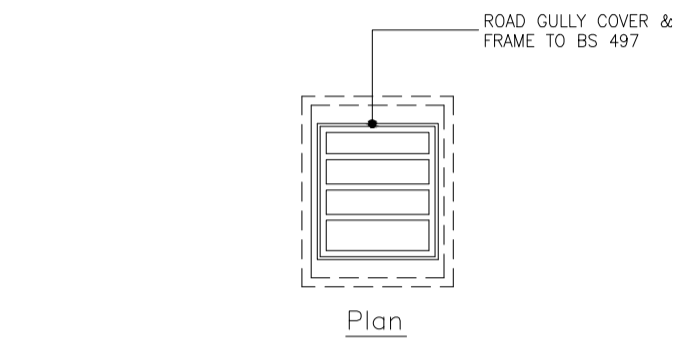
Section B-B
Scale : 1:25



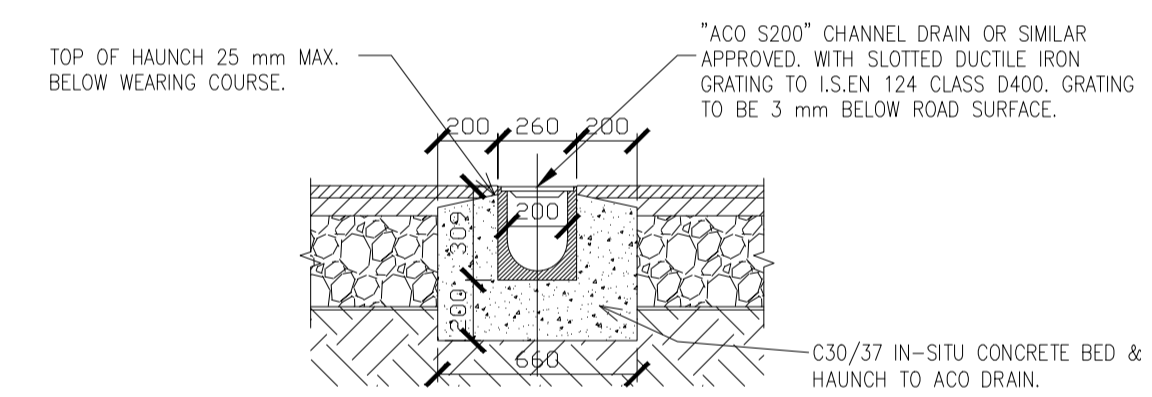
Precast Ring Manhole
Scale : 1:25



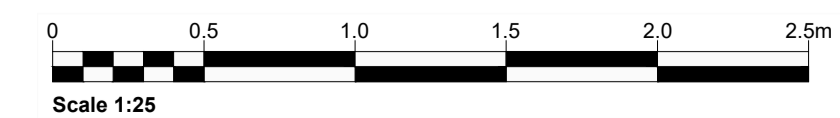
Rainwater Downpipe Detail
Scale : 1:25



Road Gully Detail
Scale : 1:25



Channel Drain
Scale : 1:25



- Notes:**
1. ALL DIMENSIONS ARE IN MILLIMETRES.
 2. ALL LEVELS ARE SHOWN IN METRES ABOVE ORDNANCE DATUM.

Legend:

1	GENERAL UPDATES	07/23	IG	GO	SM
0	PLANNING APPLICATION	06/23	IG	MM	CL
Rev	Amendments	Date	By	Chk	Auth



www.slrconsulting.com

Drawing Status & Suitability Code

Client
COOLGLASS WIND FARM LIMITED

Project
COOLGLASS WIND FARM

Drawing Title
TYPICAL DRAINAGE DETAILS

Scale	1:25	@ A1	SLR Project No.	428.V02036.00787
Designed	CL	IG	Checked	MM
Date	06/23	06/23	Authorised	CL
Date	06/23	06/23	Date	06/23

Drawing Number
ABP-428.V02036.00787.048

Rev
1